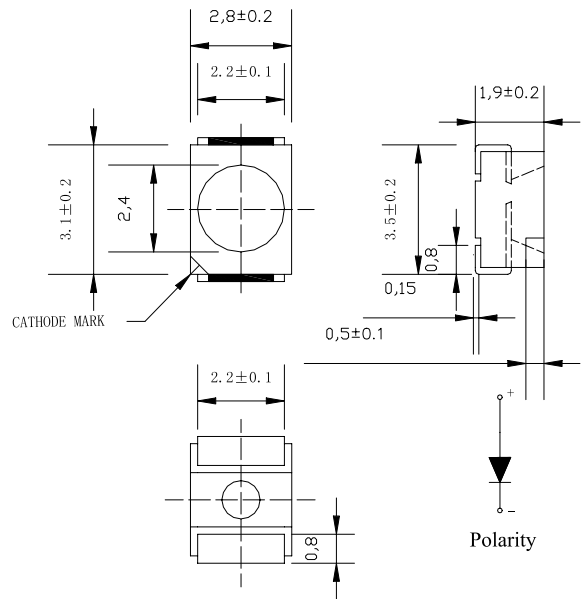


GNL-1210xx (3.1X2.8mm TOP TYPE) Ultra Brightness LED

ABSOLUTE MAXIMUM RATING:(Ta=25°C)

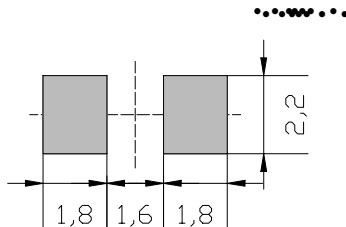
Parameter	Symbol	Max	Unit
DC Forward Current	I_F	30	mA
Reverse Voltage	V_R	5	V
Reverse Current (Vr=5V)	I_R	10	μ A
Peak Forward Current ,tw ,=1 msec Duty ,=1/20	I_{FP}	80	mA
Operation Temperature	Topr	-40-85	°C
Storage Temperature	Tstg	-55-100	°C
Solder Dip (5 seconds,1.6mm from body) Temperature		260	°C



Features:

- Compatible with automatic placement equipment
- Compatible with reflow solder process

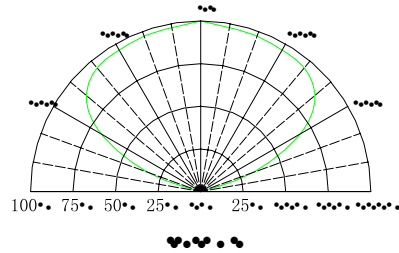
Soldering Pad Dimensions



Applications:

- Automotive and Telecommunication
- General use for indicators

Viewing Pattern



Part Number	EMITTED COLOR		Lens Color	Peak Wavelength (nm)	Vf (v) Typ	IV (If=20mA) mcd		View Angle 2 θ 1/2
						Min.	Typ.	
GNL-1210LRC	GaAlAs	Super Red	Water Clear	660	1.9	70	180	120°
GNL-1210URC	GaAlAs	Super Red	Water Clear	660	1.9	200	400	120°
GNL-1210UEC	AlGaInP	Super Orange Red	Water Clear	625	2.1	350	500	120°
GNL-1210UYC	AlGaInP	Super Yellow	Water Clear	590	2.1	350	500	120°
GNL-1210UGC	AlGaInP	Yellow Green	Water Clear	573	2.1	150	250	120°
GNL-1210UBC	InGaN	Super Blue	Water Clear	470	3.5	300	400	120°
GNL-1210PGC	InGaN	Super Pure Green	Water Clear	525	3.5	1000	1300	120°
GNL-1210UWC	InGaN	Super White	Water Clear		3.5	1200	1400	120°